



## TRE 150 TRIPOD TURNSTILE

### Operation

Adjustable manual passage to either direction.

### Frame

Two-legged, AISI 304 quality stainless steel. Optional: AISI 316 quality.

### Core and Arms

CNC-machined, aluminum cast core and polished. Ø 40x2.5 mm aluminum arms  
Optional: Stainless steel arms.

### Functions

Passage information (NC: Normally close or NO: Normally open).  
Passage time. Memory mode. Audio warning. Adjustable passage direction.

### Mechanism

AISI 304 quality stainless steel. Fail-Safe (arms rotate freely during power failure)  
Optional: Fail Lock.

### Emergency Mode

The arms rotate freely with the signal received from fire detection system.  
Optional: Drop arm.

### Indicator

Direction LEDs for both directions. Optional: Upper lid.

### Operating Voltage

100-230 VAC. 47-60 Hz

### Power Consumption

3.8W during passage, 4.1W during standby

### Operating Temperature

-10° / +70° Optional: With heater -40°

### Passage Speed

~25 persons / minute.

### Passage Width

45-50 cm

### Weight

~30 kg

### Security Level

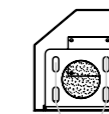
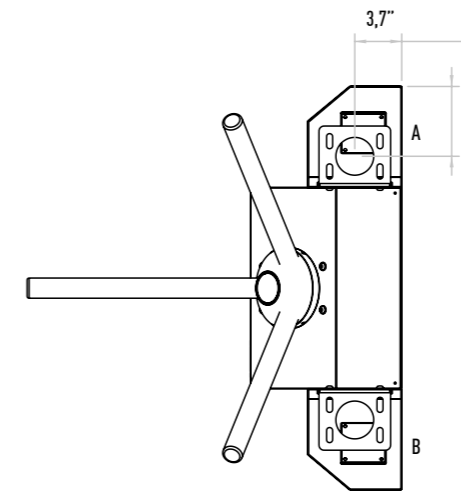
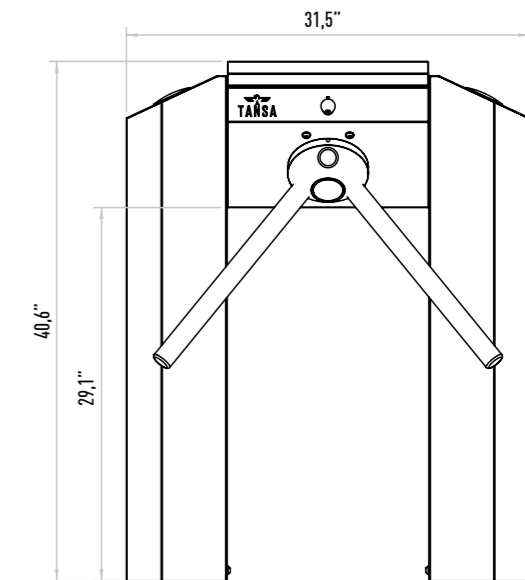
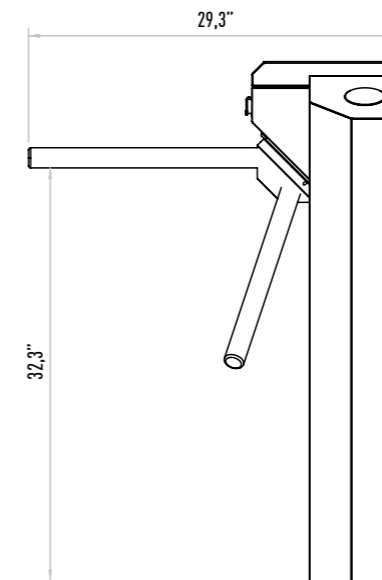
Deterrent.

### Areas of Use

Suitable for indoor and outdoor use.

### Accessories

Outdoor cover. Unauthorized passage notification system. Button control unit.  
Remote control unit. Stainless steel bottom plate. Plexiglass reader assembly kit.  
Reader assembly apparatus. Meter. RS232 communication unit.



Detail A  
Ground Mounting Point



Detail B  
Cable Line Out Point

