



TRE 145

Operation

Can be adjusted to either direction, passage with coins or tokens.

Frame

Single-legged, AISI 304 quality stainless steel. Optional: AISI 316 quality.

Core and Arms

CNC-machined, aluminum cast core and polished. Ø 40x2.5 mm aluminum arms
Optional: Stainless steel arms.

Functions

Passage information (NC: Normally close or NO: Normally open). Internal coin unit.
Passage time. Memory mode. Audio warning. Adjustable passage direction.

Mechanism

AISI 304 quality stainless steel. Fail-Safe (arms drop during power failure)
Optional: Fail Lock.

Emergency Mode

The arms fall down with the signal received from fire detection system.
Optional: Drop arm.

Indicator

Direction LEDs for both directions. Optional: Upper lid.

Operating Voltage

100-230 VAC. 47-60 Hz

Power Consumption

4.8W during passage, 5W during standby

Operating Temperature

0° / +70° Optional: With heater -40°

Passage Speed

~25 persons / minute.

Passage Width

45-50 cm

Weight

~30 kg

Security Level

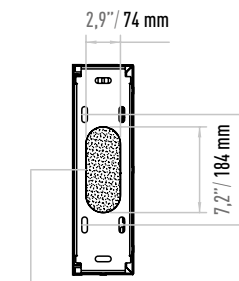
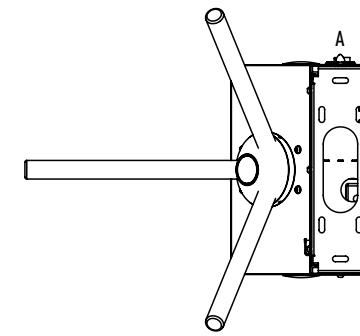
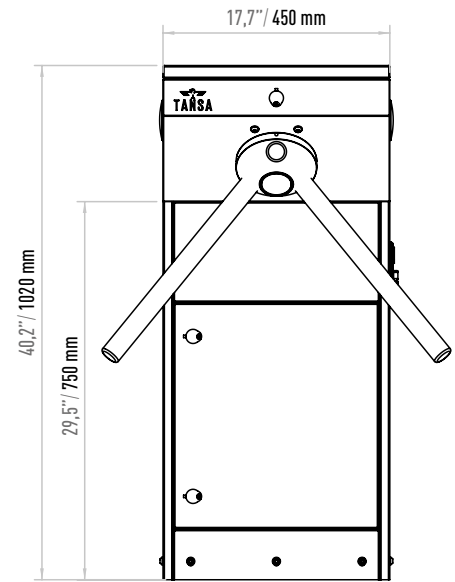
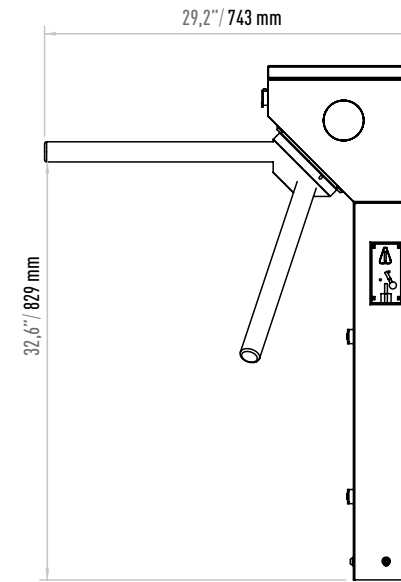
Deterrent.

Areas of Use

Suitable for indoor use. Can be used in outdoor with outdoor cover.

Accessories

Outdoor cover. Unauthorized passage notification system. Button control unit.
Remote control unit. Stainless steel bottom plate. Plexiglass reader assembly kit.
Reader assembly apparatus. Meter. RS232 communication unit.



Detay A
Zemin Bağlantı Noktası
Detail A
Ground Mounting Point

Detay A
Kablo Hattı Çıkış Noktası
Detail A
Cable Line Out Point

