



TRE 105 TRIPOD TURNSTILE

Operation

Adjustable manual passage to either direction.

Frame

Two-legged, flat covered, AISI 304 quality stainless steel. Optional: AISI 316 quality.

Core and Arms

CNC-machined, aluminum cast core and polished. Ø40x2.5 mm aluminum arms
Optional: Stainless steel arms.

Functions

Passage information (NC: Normally close or NO: Normally open).
Passage time. Memory mode. Audio warning. Adjustable passage direction.

Mechanism

AISI 304 quality stainless steel. Fail-Safe (arms rotate freely during power failure)
Optional: Fail Lock.

Emergency Mode

The arms rotate freely with the signal received from fire detection system.
Optional: Drop arm.

Indicator

Direction LEDs for both directions. Optional: Upper lid.

Operating Voltage

100-230 VAC. 47-60 Hz

Power Consumption

7.6W during passage, 8.2W during standby

Operating Temperature

-10° / +70° Optional: With heater -40°

Passage Speed

~50 persons / minute.

Passage Width

45-50 cm

Weight

~52 kg

Security Level

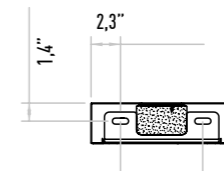
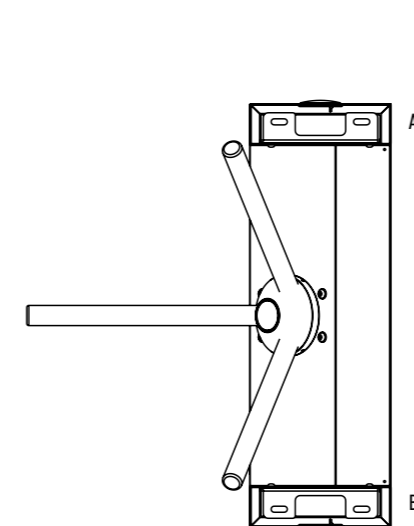
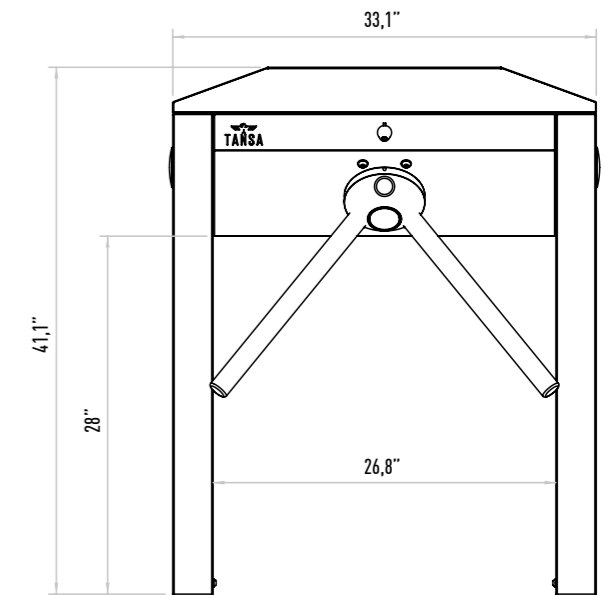
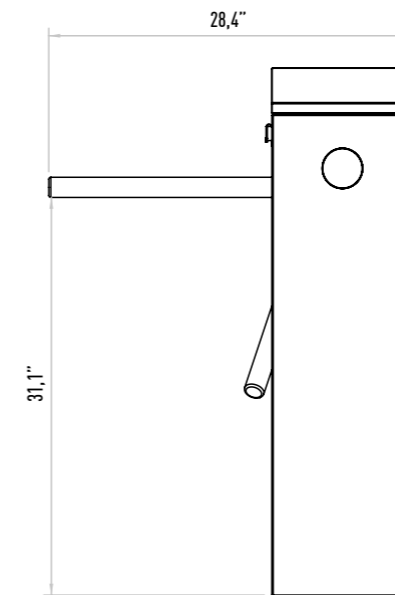
Deterrent.

Areas of Use

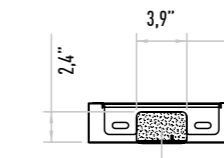
Suitable for indoor and outdoor use.

Accessories

Outdoor Cover. Unauthorized Passage Notification System. Meter. Button Control Unit. Remote Control Unit. Stainless Steel Bottom Plate. Plexiglass Reader Assembly Kit. Reader Assembly Apparatus. RS232 Communication Unit.



Detail A
Ground Mounting Point



Detail B
Cable Line Out Point

